

CHILD SAFE



Perfect Fit® Roller Blind Fitting Instructions

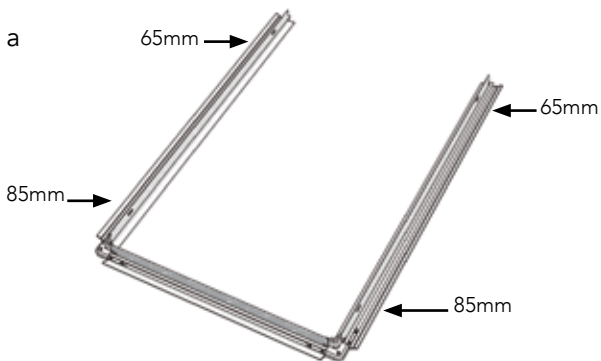
■■■■ LOUVOLITE

Fitting Perfect Fit®

Carefully unwrap and place on a clean surface.

Attach base frame to each side frame using 2 corner joints, lining up with the correct punch hole positions as shown opposite.

Tighten the 4 screws on each of the corner joints.



Slide the top section into the rest of the frame, attach the end caps and then tighten the screws on each joint.



Securing Bottom Bar

Attach end caps and fix one side in position at a slight angle then place the opposite side into position. Please ensure that the bottom bar sits behind the grooving.

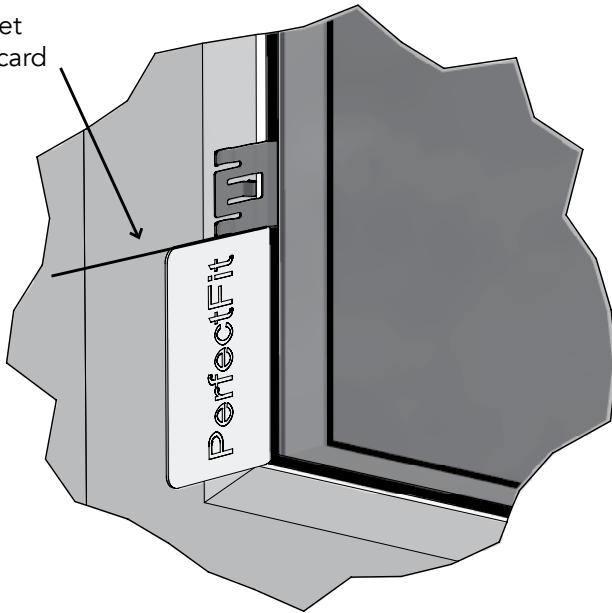


Fitting Perfect Fit®

To ensure all brackets are in the correct position for fitting (85mm from beading) use a credit card in the corner of the window to locate the bracket position.

For ease of insertion, use a lubricant in the form of washing up liquid on the base of each bracket.

Line up bracket
with edge of card

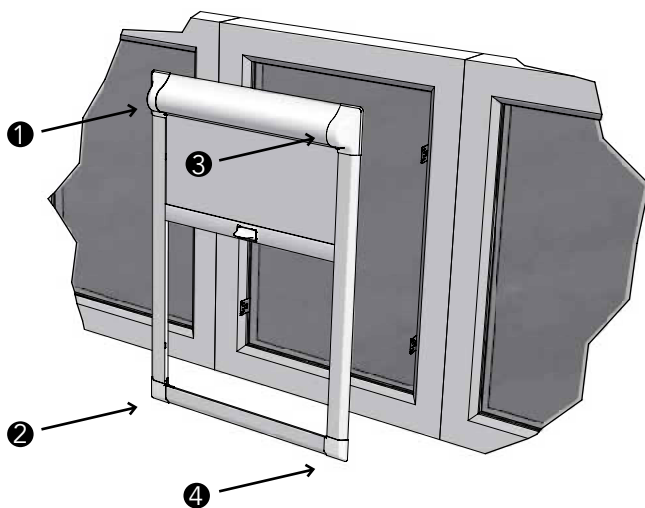


Line up the bracket with the base or top of the credit card (depending on which corner of the window you are working) and fit the bracket by pushing it between the glass and the rubber seal of the window.

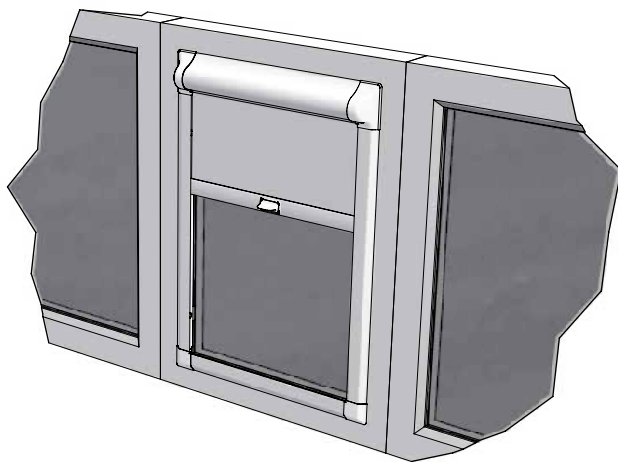
Repeat for all 4 corners of the window, and intermediate brackets (if required) then clean excess lubricant prior to fitting the frame.

Fitting the Frame

Line up the holes in the frame with the brackets.



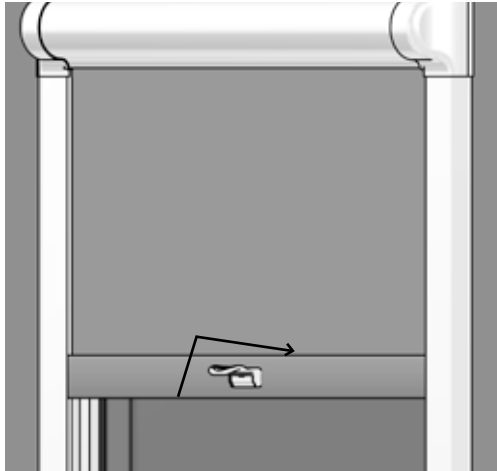
Firmly press the frame down onto each bracket.
Fit one side at a time for an easier installation, 1, 2, 3, 4.



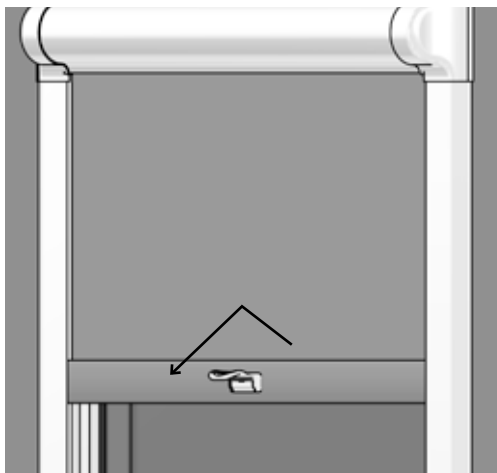
Your blind is now installed.

How to Operate

To release the blind, rock the handle forwards.
The blind is then free to open and close.



To lock the blind into position, rock the handle backwards.

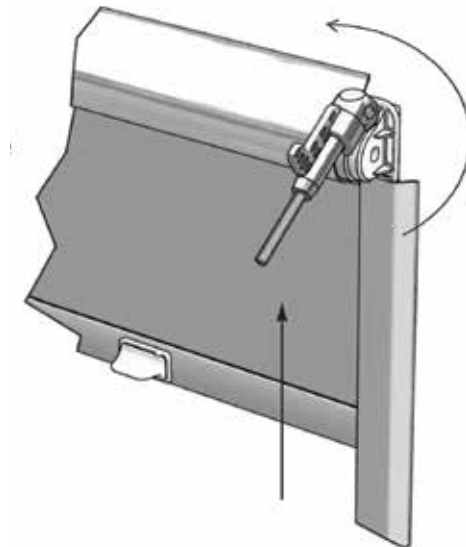


Fitting the Frame

Adding 'wrap Tension' if required

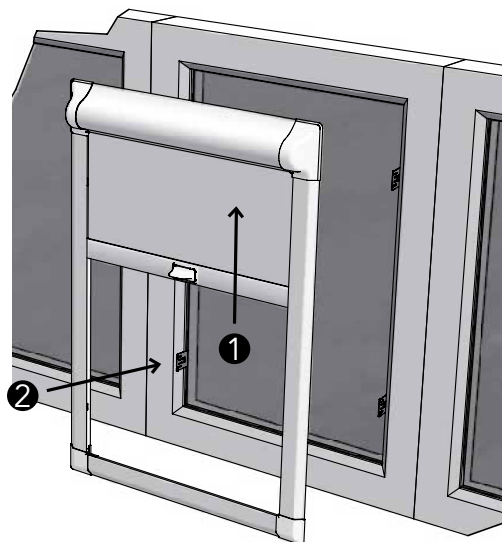
In order for the fabric to roll up, we need to add 'wrap tension' at the top of the blind.

- 1 Remove bottom bar from grooves in side channel, pull down the blind (do not manually push back up as it needs to raise naturally with the tension).
- 2 Insert a 4mm allen key or angled allen drive attachment (R9002 as shown) into the hexagon slot in the control end.
- 3 Turn 'anti-clockwise' to add tension until the blind starts to lift.
- 4 Tension is complete when the blind is fully opened.



How to remove the blind

- 1 Return blind to the top of the window.
- 2 Remove 1 side at a time by depressing button in the bracket and sliding the frame out.



Notes

S221202



Louvolite Customer Services Tel: 0161 882 5050 Email: sales@louvolite.com
Visit the Louvolite website to view the links to all of our assembly instructional videos
www.louvolite.com

Also find us on:

