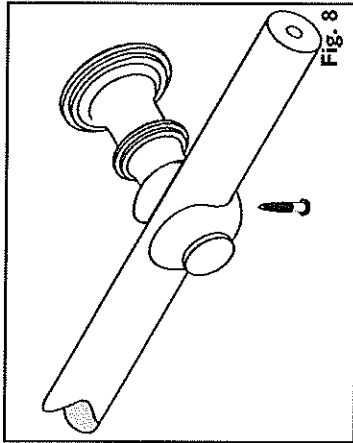
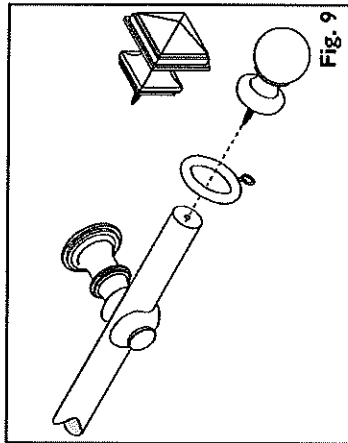


9. Once pole is in position use the locking screws to fix the pole in place as shown in Fig. 8.



Fixing the Finales

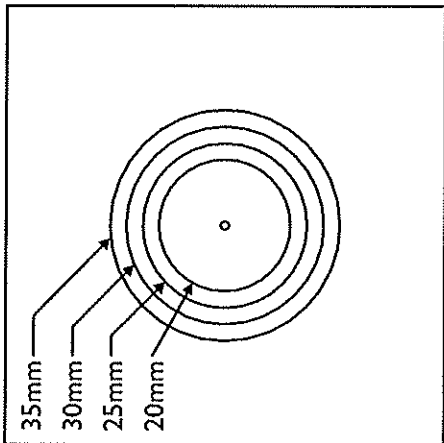
10. When you have tightened the screws you can now mount the finales onto the pole. Remember to position a ring between the brackets and the final (Fig. 9). Additional rings are available as an accessory.



11. The pole is now ready to accept curtains by slipping curtain hooks through the eyelets on the rings.

Drilling Template

Use the template provided to mark the centre of the pole if you need to drill pilot holes for the final screws.



Wooden Curtain Pole

Fitting Instructions

Please read these instructions carefully and check the contents of the pack against the table below before attempting to assemble and fix this product. The fixing screws supplied are for use where a wooden batten is fixed to the wall.

If you intend to fix the brackets directly to the wall, you must use the most appropriate wall plugs and fixings.

Tools Required: Spirit level, tape measure, flat bladed screwdriver, crosshead (Phillips) screwdriver, suitable sized drill bits (pilot hole for wood screws), pencil, step ladder.

Contents ▽	Pole Length ▷	1.5m	1.8m	2.4m	3.0m	3.6m
A Brackets		2	2	3	3	3
B Poles		1	1	2	2	2
C Finales*		2	2	2	2	2
D Rings		16	18	24	30	36
E Joining Pin		-	-	1	1	1

* Finales may differ from those illustrated.

Please ensure the correct wall plugs are used to suit your wall type

