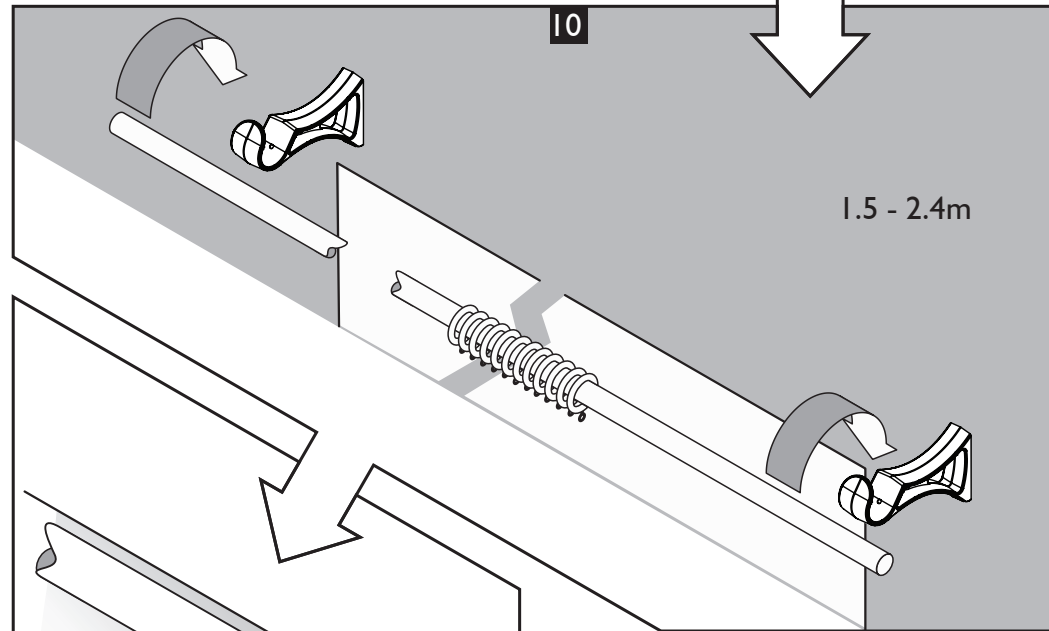
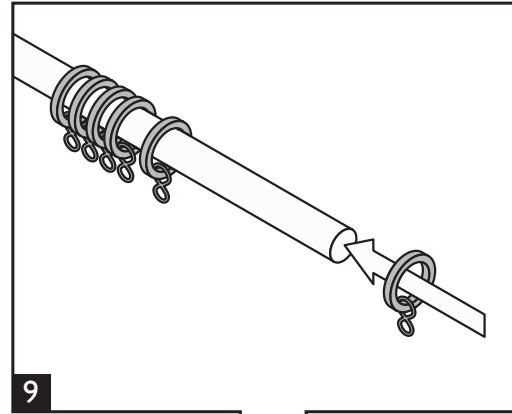


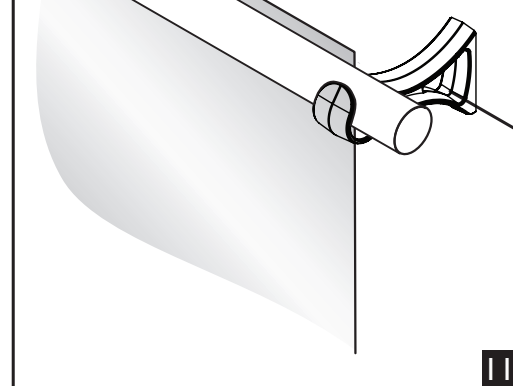
3. Assembling a pole

Slide the required number of curtain rings onto the pole Fig. 9. Remember to leave two rings aside to place between the end brackets and finials.

Drop the pole into the brackets and centralise over the window (Fig.10).



Centre the pole and tighten the locking screws on the brackets, Fig. 11.

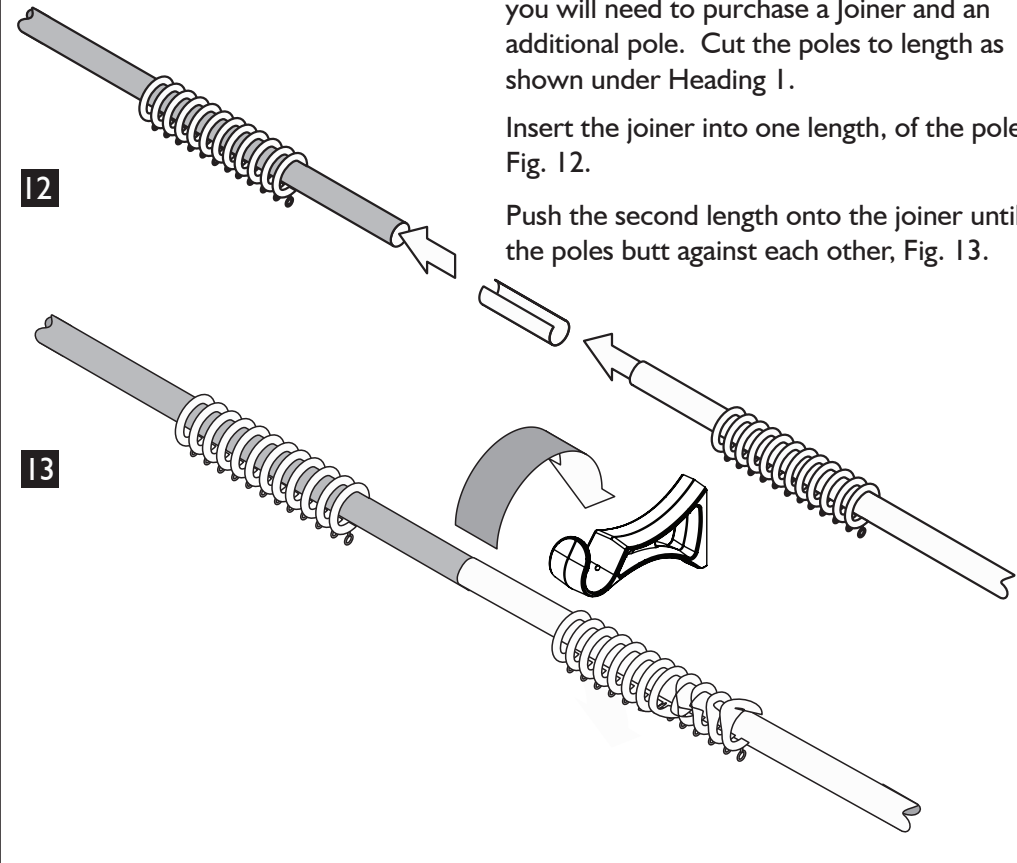


4. Joining two Poles (if required)

If you require a longer length than 2.4m, you will need to purchase a Joiner and an additional pole. Cut the poles to length as shown under Heading 1.

Insert the joiner into one length, of the pole, Fig. 12.

Push the second length onto the joiner until the poles butt against each other, Fig. 13.



Safety

- Only use a step ladder or stable chair to reach the fixing height.
- Do not over reach. Always move the stepladder or chair, so that you are in a safe working position.
- Do not hold or lean on the pole to support your weight.
- Use two people for the installation of longer poles.
- Take care when using power tools, use of a Residual Current Device (RCD) is recommended.
- Always wear eye protection when drilling.
- Beware of hidden pipe runs and cables.



Metal Curtain Pole

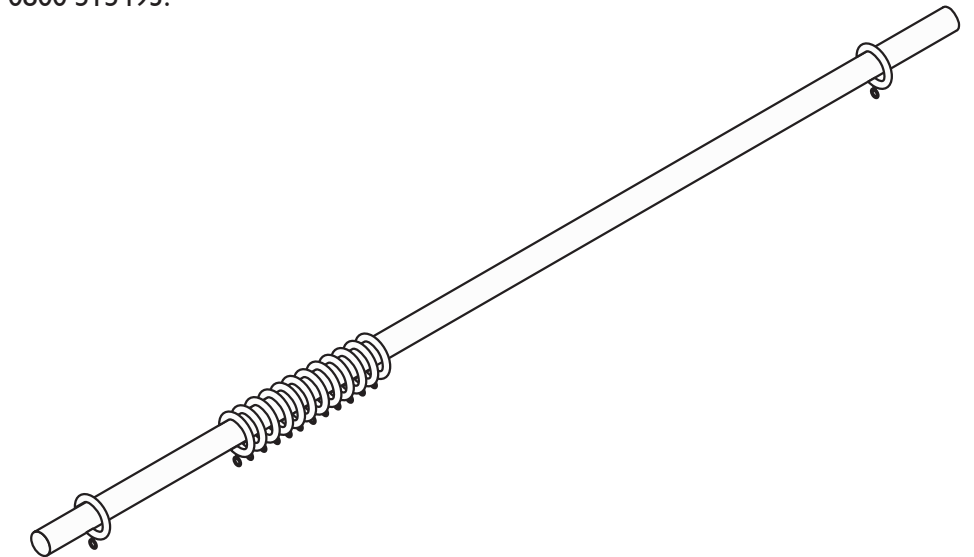
Fitting Instructions

Before fitting your curtain pole, please take care in reading these instructions and checking the contents of the pack against the table below.

Should any component be missing, please call the Customer Care Department on 0800 515493.

Tools required: Steel Tape measure, Soft Pencil, Posi-Drive Screw Driver, Spirit level, Drill and Drill bits, Hacksaw and file.

Please ensure the correct wall plugs are used to suit your wall type.

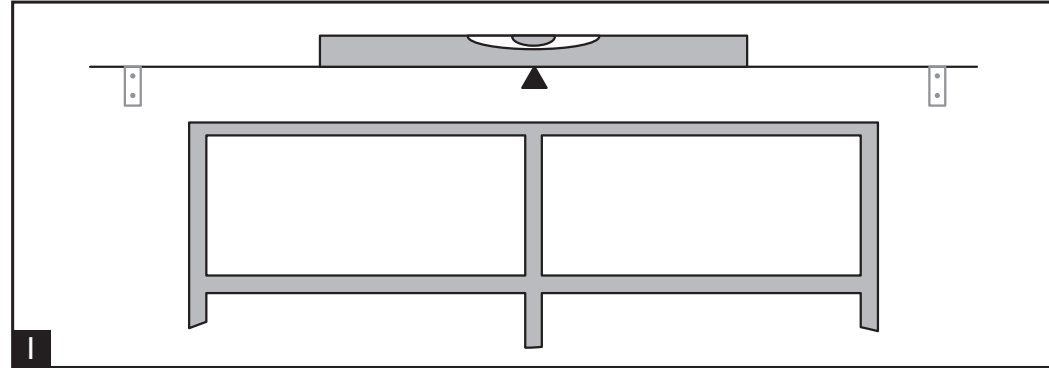


Contents ▾	Lengths in m ▷	1.5	1.8	2.4
Ⓐ Brackets (sold separately)		2	2	3
Ⓑ Pole		1	1	1
Ⓒ Rings (sold separately)		16	18	24
Ⓓ Finials (sold separately)		2	2	2
Ⓔ Joining Piece (sold separately)		-	-	-



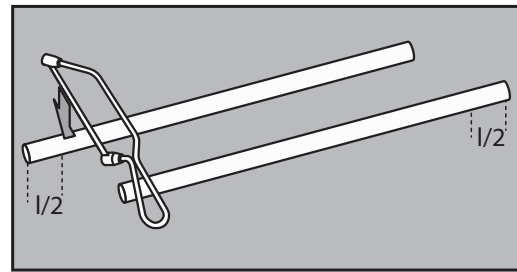
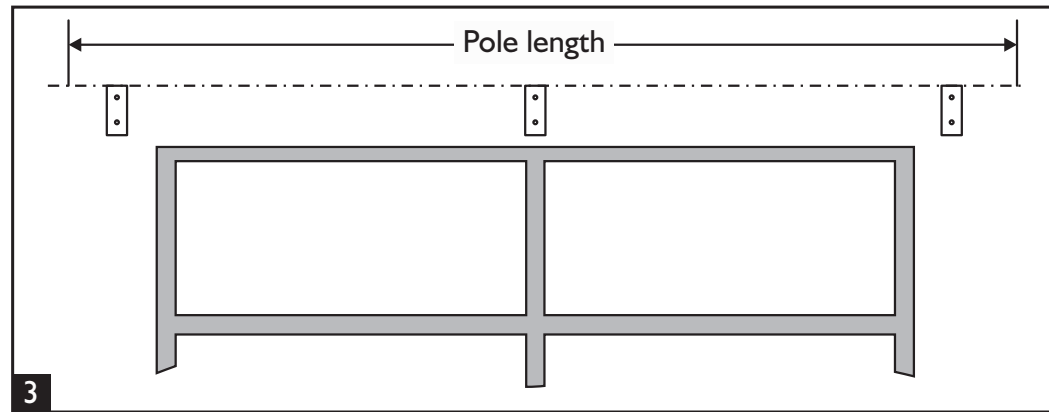
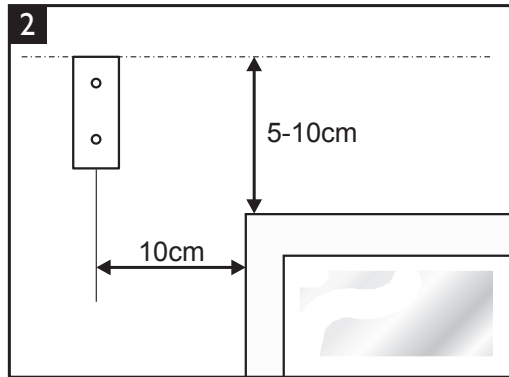
Integra Products Ltd
High Point, Sandy Hill Business Park,
Sandy Way, Amington, Tamworth,
Staffordshire B77 4DU
tel: +44 (0)1543 267100 fax: +44 (0)1543 267105
email: cus.care@integra-products.co.uk
web: www.integra-products.co.uk

I. Preparing the window



Use a spirit level to mark the top line of the brackets, Fig. 1. If you are mounting an additional intermediate bracket, space it evenly between the two outermost brackets.

Offer pole up to the window and centralise over width to determine correct length, Fig. 2. Remember to allow sufficient length either side to accommodate the curtains when opened and the finials when fitted.



If it is necessary to shorten the pole, use a hacksaw to cut to the length required. Where there are two poles cut equal amounts off each pole.

2

2. Fitting wall brackets

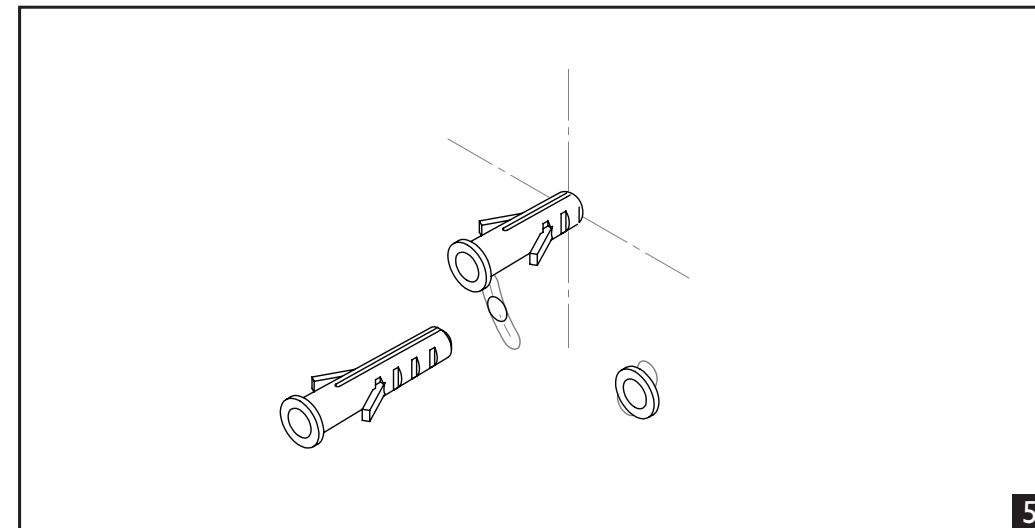
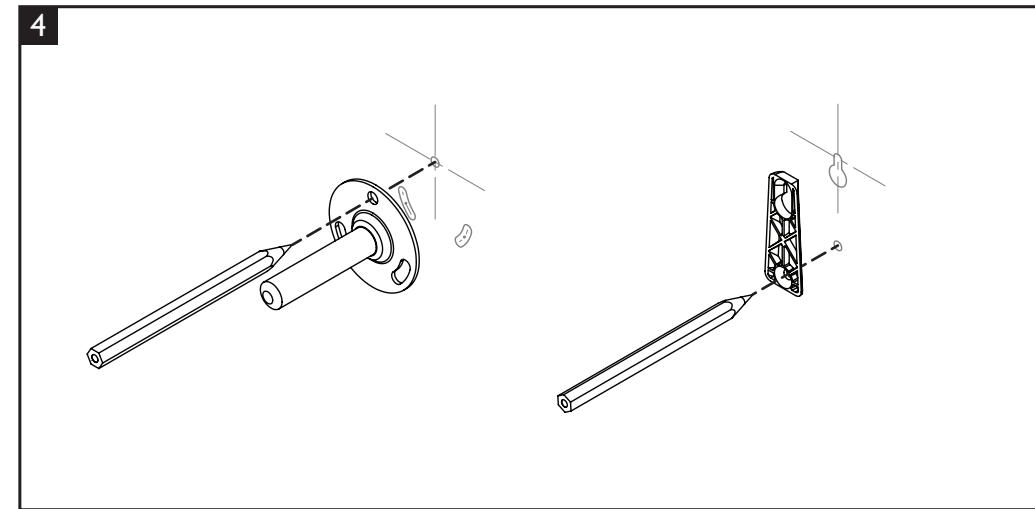
1. Position the wall brackets on the wall and mark the holes on the wall, Fig 4.

2. Drill 2mm Ø pilot hole if mounting on to a wooden batten. If mounting directly on to a masonry or studded wall use the appropriate drill size (seek guidance from local builders store if unsure).

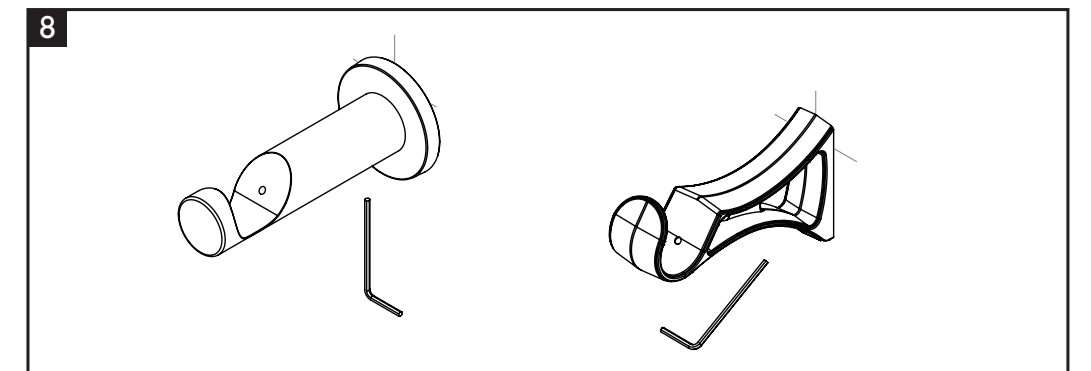
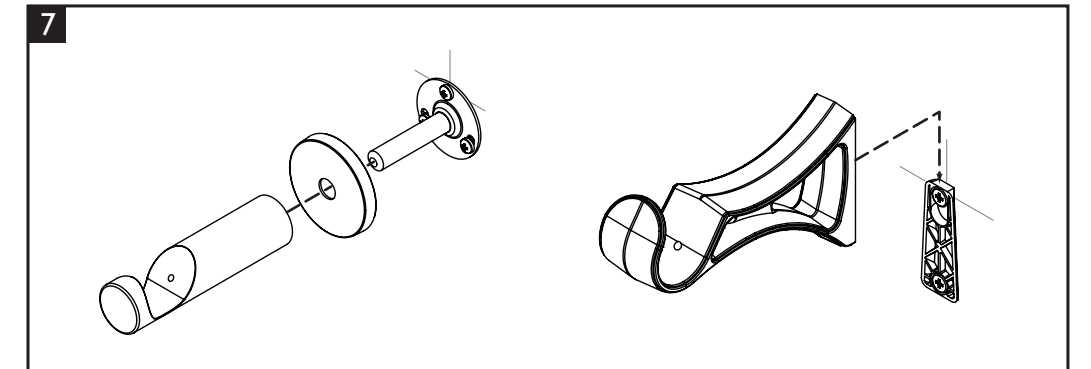
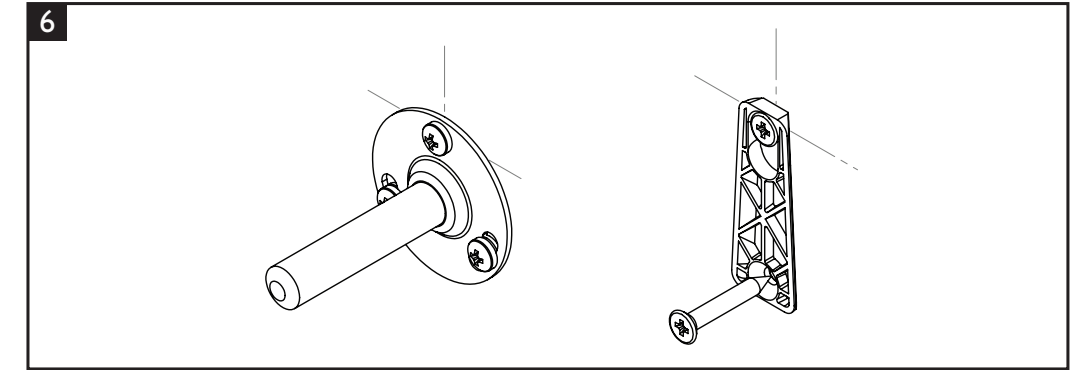
3. If mounting directly on to masonry or studded wall insert suitable wall plugs, Fig 5.

4. Using the correct screws fix the wall brackets securely, Fig 6. Alternative wall fixings should be used where necessary.

5. Attach the bracket to the wall bracket using the grub screw and Allen key supplied, Fig 7 & 8.



3



4